

Owner's Manual

Model B120 W

Page	Contents
2	Introduction Parts and features
3	Before use Unpacking Ventilation Electrical connection Moisture protection
4	Heat protection Levelling Moving the refrigerator
5	Reversible door
6	Safety notes
7	Operation Switching on Setting the temperature Practical storage advice
8	The freezer compartment Defrosting
9	Cleaning Moisture formation Replacing the light bulb
10	Owner's responsibility Technical specification
11	Trouble shooting
12	Defy Service Centres
13	Warranty

www.defy.co.za



You can rely on defy. To simplify



Energy

REFRIGERATOR

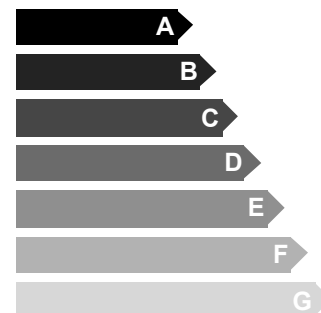
Manufacturer



Model

B120 W

More efficient



Issue 1

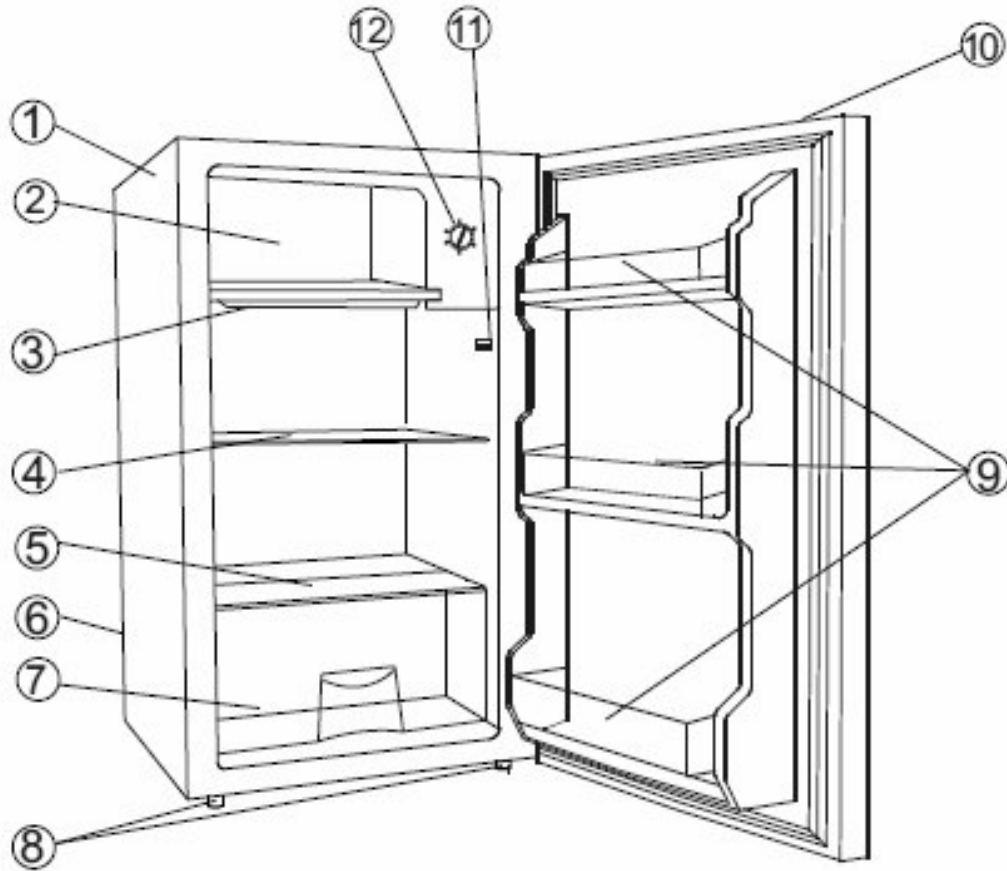


Introduction

Congratulations on the purchase of this quality appliance.

We, the manufacturer, trust that you will enjoy many years of trouble free use. Please read these instructions carefully before using the product. This book will provide you with information on how to operate and care for your appliance in order that you gain the maximum benefit from it.

Parts and features



- | | |
|-----------------------------|------------------------------|
| 1. Cabinet | 7. Crisper |
| 2. Freezer compartment door | 8. Leveling feet |
| 3. Drip tray | 9. Bottle racks |
| 4. Shelves | 10. Recessed handle |
| 5. Glass crisper cover | 11. Light switch |
| 6. Compressor at back | 12. Temperature control knob |

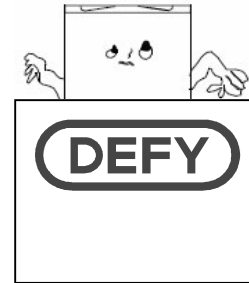
The Manufacturer strives for continuous improvements. For this reason, the text and illustrations in this book are subject to change without notice.

Before use

Unpacking

Please ensure that packaging material is disposed of in a responsible manner. Plastic bags should be cut up to prevent children playing with them and accidentally suffocating.

If the appliance is damaged in any way, do not use it. Report the damage to your dealer, who will take the necessary



Ventilation

Leave a gap of at least 100mm. all round the appliance for air circulation.

When built into a cupboard, a provision must be made for hot air to escape from the top rear of the cupboard.

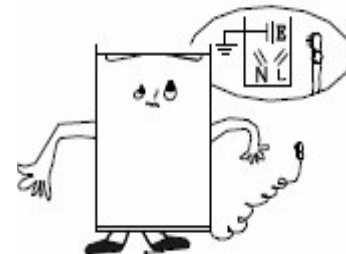
A space should be left in front of the appliance to allow easy access and unhindered door opening



Electrical connection

The refrigerator uses a 220v-240v 50Hz power supply and may not be used with a battery inverter power supply. This appliance must be earthed and the manufacturer and the seller do not accept responsibility for any damage due to incorrect electrical connection

Ensure that the power cord is not twisted, coiled or located near the compressor as the latter gets quite hot when operating and could melt the insulation.



Moisture protection

Protecting the refrigerator from exposure to moisture will go a long way to preventing long term corrosion of metal parts. Do not spill or spray water on the refrigerator for fear of Electrical shorting



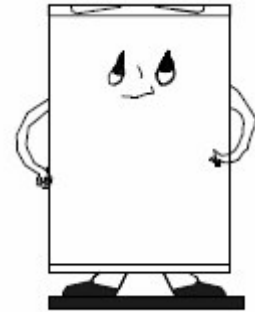
Heat protection

The appliance should be positioned in a dry, well aired place away from heat sources such as stoves, geysers and direct sunlight.



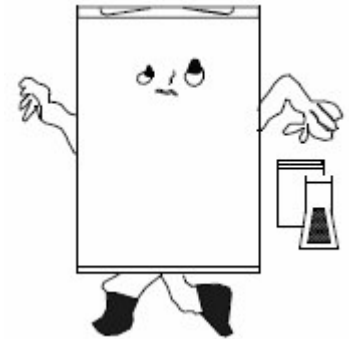
Levelling

The refrigerator should stand on a solid smooth floor. Avoid placing it on a soft foam or carpeted surface. It is essential to level the unit by turning the two adjustable levelling feet at the front of the unit either in or out.



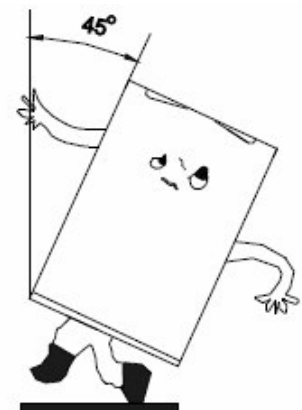
Danger

Do not store any volatile or combustible materials such as petrol, alcohol, and oils in or near the refrigerator



Moving

Do not transport or move the refrigerator up side down, horizontally or at an incline of more than 45 degrees. If this has inadvertently occurred, the refrigerator must stand upright for 24 hours before operating to allow fluids to settle.



Reversible door

This refrigerator has been built with the door hinges on the right. If you wish to change the opening direction, follow the instructions below:

1. Remove the upper hinge cover (6)
2. Remove the two screws (1) securing the upper hinge (5) (right side) to the frame and remove the hinge.
3. Lift the door and place it on a padded surface to prevent accidental scratching.
4. Remove the two screws (8) securing the lower hinge (2) and remove the hinge.
5. Remove the left front leg (4) and transfer it to the right side.
6. Remove the hole cover plate (7) and transfer to the right hand side.

7. Before attaching the lower hinge (2), remove the bolt-pin (9) and reverse the direction of the lower hinge (2). Then install the lower hinge (2) onto the left side of the lower frame with two screws (8).

8. Insert the bolt-pin (9) to the lower hinge (2).

9. Set the door to its place making sure the door seats on the lower hinge (2)

10. While holding the door in the closed position secure the upper hinge (5) in the top frame (left hand side) with two screws (1). Do not tighten the two screws (1) until the top of the door is level with the counter top.

11. Install the upper hinge cover(6) on the upper hinge..

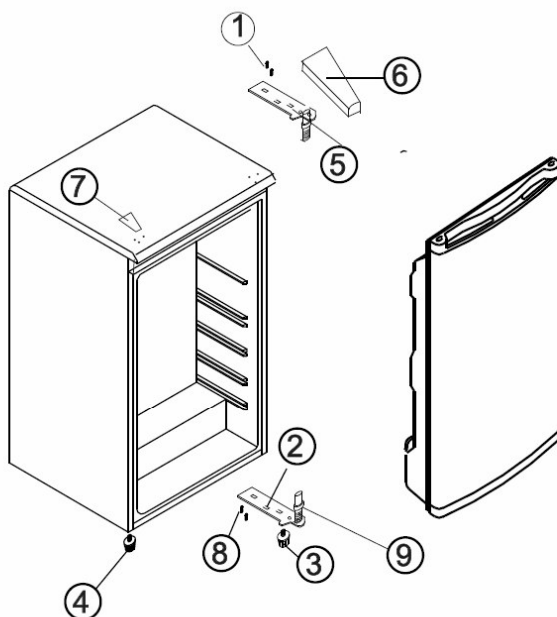


FIGURE 1

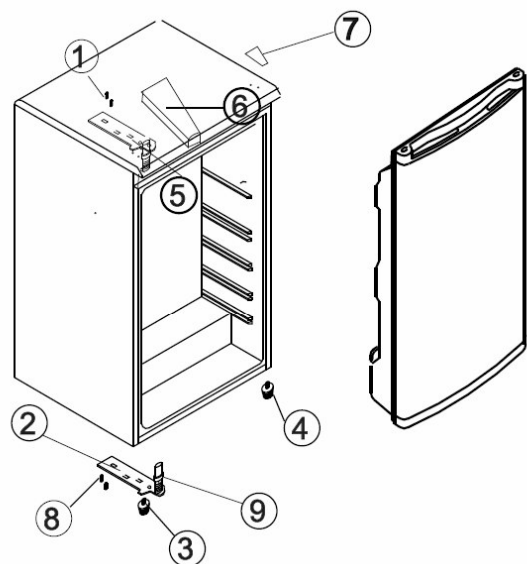


FIGURE 2

Safety notes

This refrigerator is not intended for use by persons with reduced physical, sensory or mental capabilities or lack of experience and knowledge unless they have been given supervision or instruction concerning the use of the appliance by a person responsible for their safety. Children should be supervised to ensure that they do not play with the appliance.

Warning

Keep ventilation openings, in the refrigerator or in the built-in structure, clear of obstructions.

Do not use mechanical devices or other means to accelerate the defrosting process, other than those recommended by the manufacturer.

Do not damage the refrigerant circuit.

Do not use electrical appliances inside the food storage compartments of the refrigerator.

This refrigerator must only be used for its intended purpose, i.e. the storing of edible foodstuff.

Never pour or spray water into the refrigerator and do not store liquids, pot plants or open containers on top of the refrigerator as these might spill causing electrical shorting.

Do not allow children to hang on the refrigerator door as the unit could topple forward risking personal injury.

Do not store medicine or academic research samples which require strict temperature control in the refrigerator.

Do not store or use flammable gas, benzene, petrol or volatile substances in or near the refrigerator.

Unplug the refrigerator when cleaning, during routine maintenance or if it will not be used for an extended period.

In the event of a malfunction, disconnect the refrigerator from the power supply. Repairs should only be made by a qualified technician.

If the connection cable is damaged, a qualified technician must replace it.

When discarding an old refrigerator please render the doors inoperative as children, while playing, might get trapped inside and suffocate.

Do not dispose of the refrigerator in a fire as it contains non CFC substances in the insulation which are flammable. Please contact the local authority for information on disposal methods and available facilities.

Operation

Switch on the power at the wall plug.

The compressor will run.

The interior light will switch on when the refrigerator door is opened.

Setting the temperature

- Operating temperatures are controlled by a thermostat knob located in the refrigerator compartment.
 - We recommend a setting midway on the dial to begin with.
 - If however you require a colder interior temperature, turn the thermostat knob to a higher number. If you require a warmer interior temperature, turn the thermostat knob to a lower number.
-

Practical storage advice

The refrigerator is used for the short-term storage of fresh food and drinks.

Always pack or wrap food, or put it in a suitable container, before storing it in the refrigerator.

Allow hot food or beverages to cool before placing them in the refrigerator.

Never keep fresh meat in the fridge for more than 2 or 3 days.

Food with a strong odour or those apt to acquire an odour should be wrapped in airtight packaging material.

Keep fresh food separate from cooked food, to avoid bacteria contamination.

Remove any left-over canned food from the can and store it in a suitable container. Refer to the shelf life indicated on the food packaging.

Fresh fruit and vegetables should be cleaned and stored in the crisper. Some fruit and vegetables such as pineapples, melon, cucumbers and tomatoes are best kept in polythene bags.

Bottles and jars may be stored in the door bottle racks. Alcohol should be stored upright in sealed containers.

Never keep any dangerous or poisonous substances inside the refrigerator.

The freezer compartment

The freezer compartment is designed for making ice cubes and for the short term storage of frozen foods. It is not suitable for the long term storage of frozen food .

Allow hot food to cool before putting it in the freezer.

Seal all foods, or place in airtight containers to prevent dehydration.

Remember, liquids can increase in volume when frozen. Do not store sealed bottles, jars or cans in the freezer as the contents will freeze, expand and rupture the container.

Do not exceed the expiry date shown on food packs.

Defrosting

The freezer compartment needs to be manually defrosted whenever the frost build up inside the freezer reaches a thickness of 2 mm.

To defrost the freezer compartment, proceed as follows:

Switch off the power at the wall socket.

Remove contents and store in a cool place.

Leave the door open during defrosting.

When the frost begins to soften, wipe it up.

Defrost water may be collected in the drip tray.

Gently remove the drip tray and discard the water.

When defrosting is complete, clean and dry out the compartment and replace the drip tray.

Replace the frozen food.

Switch on the power at the wall socket and resume normal operation.

Caution

Never attempt to scrape frost or ice off the freezer walls with a sharp object.

Do not use a steamer or hair dryer to accelerate the defrosting process

Cleaning

Always disconnect the plug from the mains socket before cleaning any part of the refrigerator.

Clean the inside of the appliance whenever necessary using a damp cloth and a solution of warm water and Bicarbonate of Soda (1 table spoon to every 2 litres of water).

Dry with a soft cloth.

Spillages, especially citric and acidic juices, must be wiped up immediately as they could stain the product.

Shelves, crispers and door racks may be removed for cleaning purposes.

A mild furniture polish may be used on the exterior cabinet to add lustre and protect against finger marks.

If the refrigerator will not be used for an extended period, it is best to unplug at the wall socket and leave both doors slightly ajar. This will prevent unpleasant odours from forming.

Inspect the door gaskets at regular intervals to ensure they are free of food particles and clean with water only. Wipe dry.

Do not use pot scourers or abrasive powders to clean the appliance.

Never use petroleum based products to clean the refrigerator.

Moisture formation in the refrigerator compartment.

If the refrigerator is located in a hot and humid area, and the door is opened frequently, water droplets or dew may form on the interior walls and glass shelves. This has no effect on the performance and the water may simply be wiped up using an absorbent cloth.

To replace a faulty light bulb proceed as follows:

Switch of at the wall socket and remove the power plug from the socket.
Unscrew and replace the faulty bulb with an E14 screw cap type 10 Watt bulb

Owners responsibility

Keep ventilation openings, in the refrigerator enclosure or built-in structure clear of obstruction.

Do not use mechanical devices or other means to accelerate the defrosting process, other than those recommended by the manufacturer.

Do not damage the refrigerant circuit.

Do not use electrical appliances inside the food storage compartments of the appliance, unless they have been recommended by the manufacturer.

Since the following are not factory faults they are the owners responsibility:

Damage to the exterior finish.

Breakage of glass / plastic and other components.

Replacement of light bulbs.

Damage caused through improper use of the refrigerator.

Damage caused by moving the refrigerator

Technical specifications

B120W

Appliance type	Bar refrigerator
Height (cm)	85
Width (cm)	48
Depth (cm)	50
Total net volume (l.)	90
Freezer net volume (l.)	10
Refrigerator net volume (l.)	80
Energy class (1)	A
Power consumption (kWh/year) (2)	146
Noise (dB (A) re 1 pW)	39
Refrigerant gas	R600a

Trouble shooting

Symptom	Check
The unit does not run and the interior light doesn't switch on	<p>Make sure the refrigerator (C15A plug) is securely plugged in.</p> <p>Check for a blown fuse or tripped circuit breaker.</p> <p>Test the wall socket for power using another appliance.</p> <p>Inspect the electrical cord for damage.</p> <p>Eliminate the use of an extension cord, if any is being used.</p>
The interior light switches on but the unit won't run.	<p>Check the temperature setting.</p> <p>Make certain there is a 100mm space outside of the refrigerator between the walls and the back and sides and at least a 50mm gap above, to allow for air flow</p> <p>Unplug the refrigerator, wait two hours and plug it in. If you hear it running, a problem is causing the compressor to overheat.</p>
The interior light does not switch on	<p>Replace the bulb with a new 10W bulb.</p> <p>Test the door switch.</p>
The interior temperature is not cold enough or too warm	<p>Adjust the temperature control knob setting</p> <p>Check that there is enough room for air to flow between the refrigerator contents.</p> <p>Check for air flow restrictions round the sides, back and top of the refrigerator.</p> <p>Check that the door is properly closed.</p> <p>Check the door gaskets for damage.</p>
The appliance is noisy	<p>Typical noises associated with a modern refrigeration system are:</p> <p>Compressor: Humming sound</p> <p>Gas expansion: Boiling, gurgling or hissing sound.</p> <p>Defrosting: Water flowing sound.</p> <p>These sounds are normal and are usually an indication that the refrigerator is operating properly.</p> <p>Check that the refrigerator is level.</p> <p>Check the defrost water drain-pan on top of the compressor.</p> <p>Inspect the compressor mounts.</p>
The appliance runs continuously	<p>Check the door gaskets.</p> <p>If you recently adjusted the temperature control, loaded the refrigerator or are in a humid location, it is not uncommon for a refrigerator to run for 24 hours or more before getting cool.</p>
The interior has an unpleasant odour	<p>Remove spoiled food</p> <p>Clean refrigerator interior with a solution of hot water and baking soda</p> <p>Clean the door gaskets</p>

Defy Service Centres

If you have followed the instructions and still have a problem, contact the nearest Defy Service Centre.

They will be able to advise you on any aspect of the product or send a qualified technician to repair it.

BLOEMFONTEIN

160 Long Street, Hilton,
Bloemfontein 9301.
Tel. 051 400 3900
Bloemfontein.Service@defy.co.za

JOHANNESBURG

Cnr. Mimetes & Kruger Sts. Denver ext.12
Johannesburg. 2094.
Tel. 011 621 0200 or 011 621 0300
Gauteng.Service@defy.co.za

CAPE TOWN

5A Marconi Rd.
Montague Gardens, 7441.
Tel. 021 526 3000
CapeTown.Service@defy.co.za

POLOKWANE

87 Nelson Mandela Drive.
Superbia 0699.
Tel. 0152 92 1166 / 7 / 8 / 9.
Polokwane.Service@defy.co.za

DURBAN

35 Intersite Avenue,
Umgeni Business Park, Durban 4051.
Tel. 031 268 3300
Durban.Service@defy.co.za

PORT ELIZABETH

112 Patterson Road,
North End, Port Elizabeth 6001.
Tel. 041 401 6400
PortElizabeth.Service@defy.co.za

EAST LONDON

16 Bowls Rd. Arcadia,
East London 5201.
Tel. 043 743 7100
EastLondon.Service@defy.co.za

PRETORIA

Block A1 Old Mutual Industrial Park.
Cnr. D.F.Malan Drive & Moot Str.
Hermanstad. 0082.
Tel. 012 377 8300
Pretoria.Service@defy.co.za

OTHER AREAS ARE SERVICED BY OVER 200 AUTHORISED AGENTS. FOR FURTHER DETAILS PLEASE CONSULT THE NEAREST REGIONAL DEFY SERVICE CENTRE

Warranty

This certificate is issued by DEFY APPLIANCES (PTY) LIMITED manufacturers of Defy and Ocean products, hereinafter the Company, to the original purchaser only, of the appliance described on the certificate and shall constitute the only warranty given in respect of this appliance.

The Company warrants to the original purchaser that for a period of TWO YEARS from date of purchase the appliance is free from defect under normal domestic use, both in workmanship and material, subject to the following conditions.

1. Repair or replacement of any part of this appliance, found by the Company to be defective, shall be at the election of the Company. The Company reserves the right to effect such service through any of its Service Divisions or Authorised Service Dealers. The cost of such service shall be borne by the Company in full, provided that the appliance is located no further than 50 km from a Company Service Centre or an Authorised Service Dealer. Where the appliance is located beyond the 50 km radius, the purchaser shall be liable for the standard travelling charges, as determined by the Company.
CARRY IN SERVICE Microwave ovens, Compact cookers and small appliances are repaired in our service centres and are not collected from the customers home. Faulty units should be delivered to the purchasing dealer or to the nearest Company Service Centre for warranty repairs.
2. Rusted or corroded plates, vitreous enamelware, fuses and lamps are specifically excluded from these warranties. It is an express condition of these warranties that the purchaser takes due care and attention in the use and maintenance of the appliance. Abuse, misuse in conflict with operating instructions, connection to incorrect voltages and subjection to commercial use shall release the Company from its obligations.
3. This warranty shall become void and cease to operate if the appliance is dismantled by, or any repairs to the appliance are effected by any persons not duly authorised by the Company, or if substitute parts not approved by the Company are used in the appliance, or if the serial number of the appliance is removed.
4. The Company shall not be responsible for damages resulting from fire, flood, civil disturbances or any Act of God. The Company shall not, in terms of these warranties be responsible nor held liable for any consequential loss or damage of any kind caused by or due to the failure or malfunction of the appliance.
5. The Company shall not be responsible for transportation or other costs other than those incurred within the provisions of Point 1 of this Certificate.
6. These warranties shall not apply to the appliance if it is purchased or used beyond the borders of the Republic of South Africa, Namibia, Botswana, Swaziland and Lesotho.
7. Where service is requested under warranty and no fault or defect can be found by the Company, all costs incurred will be for the purchaser's account.
8. This Certificate as well as your invoice will serve as proof of purchase. For the purpose of warranty, it will be essential to produce this Certificate and invoice. Failure to do so, will render the purchaser liable for service costs.

**KEEP THIS CERTIFICATE AND SALES INVOICE AS PROOF OF
PURCHASE FOR WARRANTY PURPOSES.**